



THE PROLINE LED30 RING LIGHT REPRESENTS A NEW STANDARD IN LED MICROSCOPE RING LIGHTS FROM TECHNIQUIP, AN INDUSTRY LEADER IN INNOVATIVE "MADE IN THE USA" PRODUCTS.



## PROLINE LED-30 RING ILLUMINATOR

Designed and manufactured to the exacting standards that have made TechniQuip an industry leader in microscopy ring lights, the ProLine LED 30 delivers superior, microscope quality white light from the precision aligned LED array. Our CAD designed ring light system contains 30 top quality high-brightness white LED's housed in a machined aluminum housing that also serves as a heat sink. The ProLine 30 offers outstanding illumination performance in a very compact and rugged package...ideal for micro-video systems.

Our advanced LED controller utilizes a proprietary constant current design to provide maximum light output with long life and no color shift when dimming. The controller also provides segment selectable lighting for additional illumination flexibility. Adding to its impressive list of features, the ProLine 30 comes standard with a universal power source for worldwide operation.

Manufactured in TechniQuip's own Pleasanton, California factory, the ProLine 30 is backed by the great service and warranty that have made TechniQuip the first choice for OEM's, laboratories, and other "mission critical" applications.



# PROLINE 30 LED RINGLIGHT PRODUCT FEATURES

360° shadow-free illumination	Built and tested in the USA
30 high brightness LEDs	Supplied with controller and universal power supply
5500° K spectrum (approx)	Overall Dimensions: 1.02" thick , 2.89" o.d. x 1.76" i.d.
Machined aluminum mount / polycarbonate housing	Integrated controller: - Adjustable brightness (10% - 100%) - Constant current intensity control (30 LED's) - Universal power 100-240VAC 50/60Hz
3 point soft tipped secure mount	Can mount to most microscope objectives
Silent, no vibration operation	Standard model fits 1.0" - 1.76" (45mm) lenses

## Working Distances:

DISTANCE	FOOTCANDLES	WORKING DISTANCE
2 Inches	5800	Minimum
2.5 Inches	6500	Optimum
3 Inches	6200	

## Shipped Ready to use:

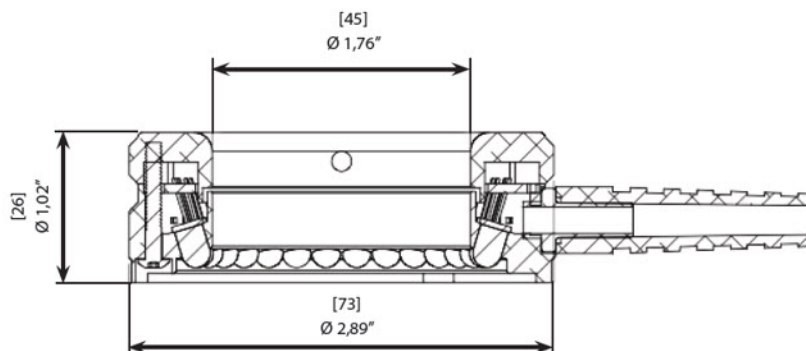
<b>THE PROLINE 30 CONSISTS OF TWO COMPONENTS:</b>
One 30 LED ring light with attached 70" cable
One 3-Channel Controller Unit
One AC/DC Switching Adapter: Input: 100-240V—50/6-Hz. 0.5A Output: 24V — 0.75A. 14W Max.

## TECHNIQUIP : CUSTOM SOLUTIONS IN LIGHTING

TechniQuip offers custom solutions in precision lighting devices, lamp engines, LED devices , ring lights, fiber optic illuminators, optical inspection systems, optics, cameras, imaging, fiber optic cables, and boomstands. Contact [Nyoptics](#) Inc if you would like discuss specialized turnkey services in design, R&D, and production.

**TechniQuip's Standard Line of Microscopy Products** can be seen at [TechniQuip.com](#). Our standard products include Single & Dual Light Guides, optics, and adapters for all of your microscope needs. TechniQuip usually ships the same day that you order. We guarantee all of our products.

**TechniQuip:** A proud tradition of sales and service for more than 36 years.



Distributed by:

