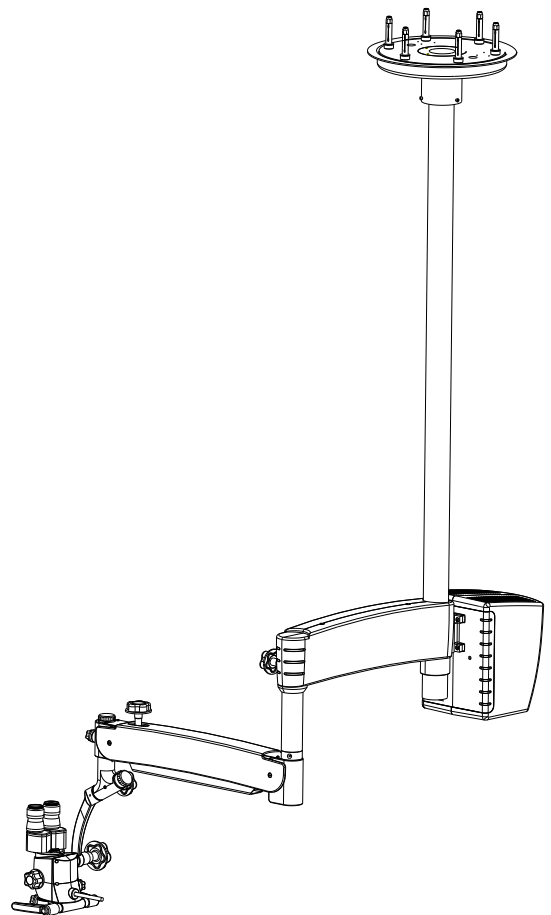


PRIMA

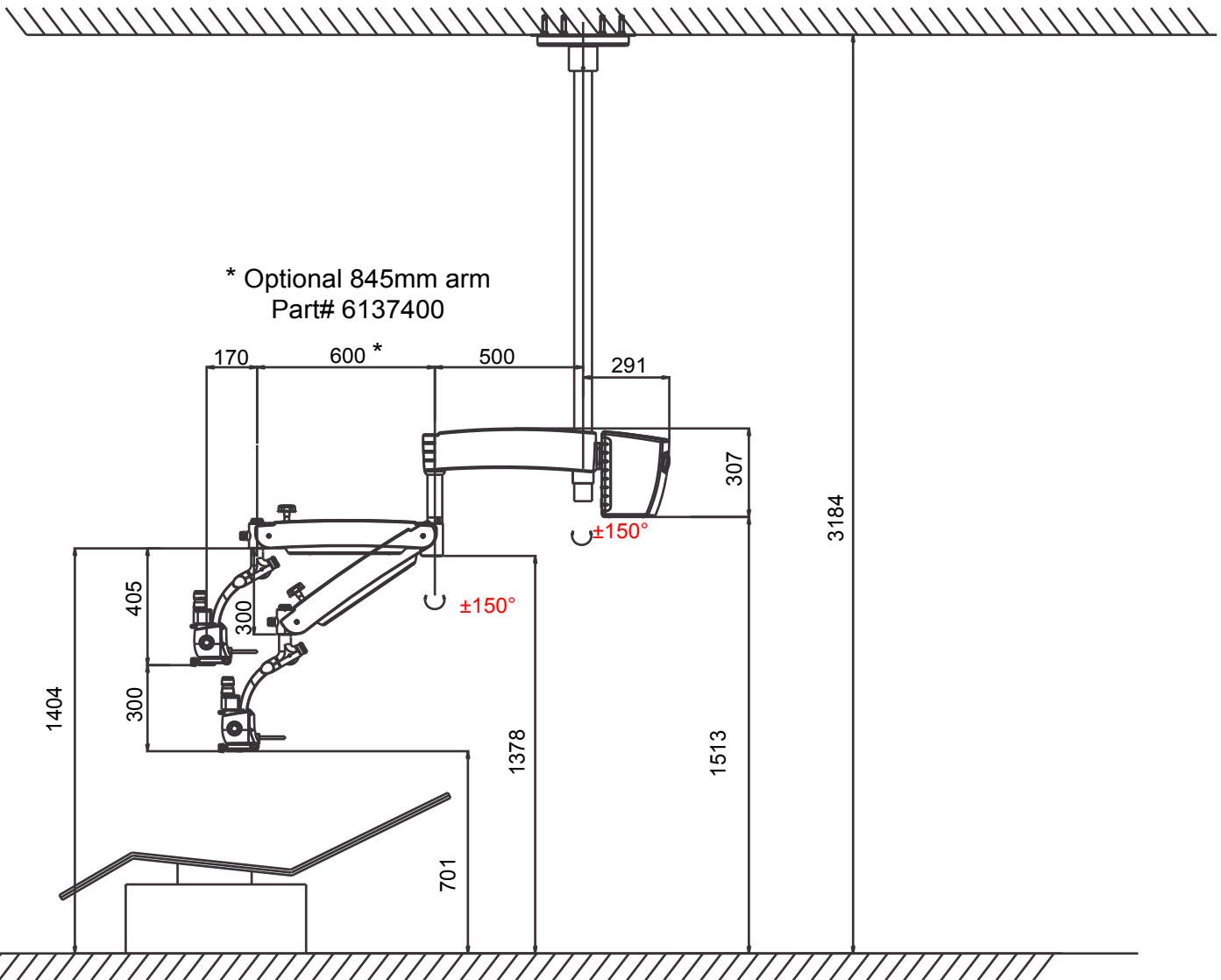
Installation Manual



To ensure proper use of this instrument as well as to avoid injury while operating instrument, understanding this manual completely before use is highly recommended.

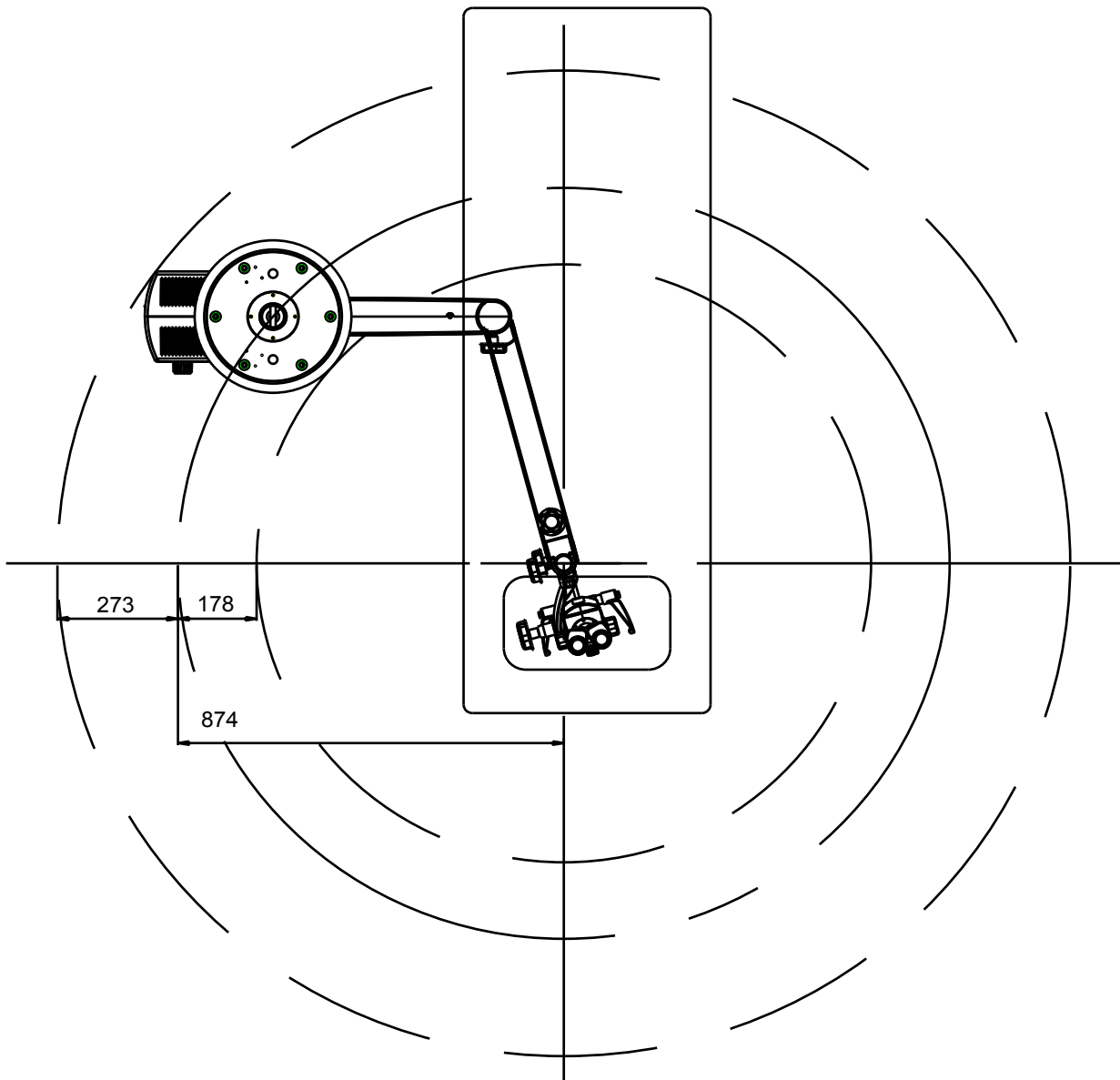
Ceiling mount for Prima DNT

Dimensions of ceiling mount used in dentistry



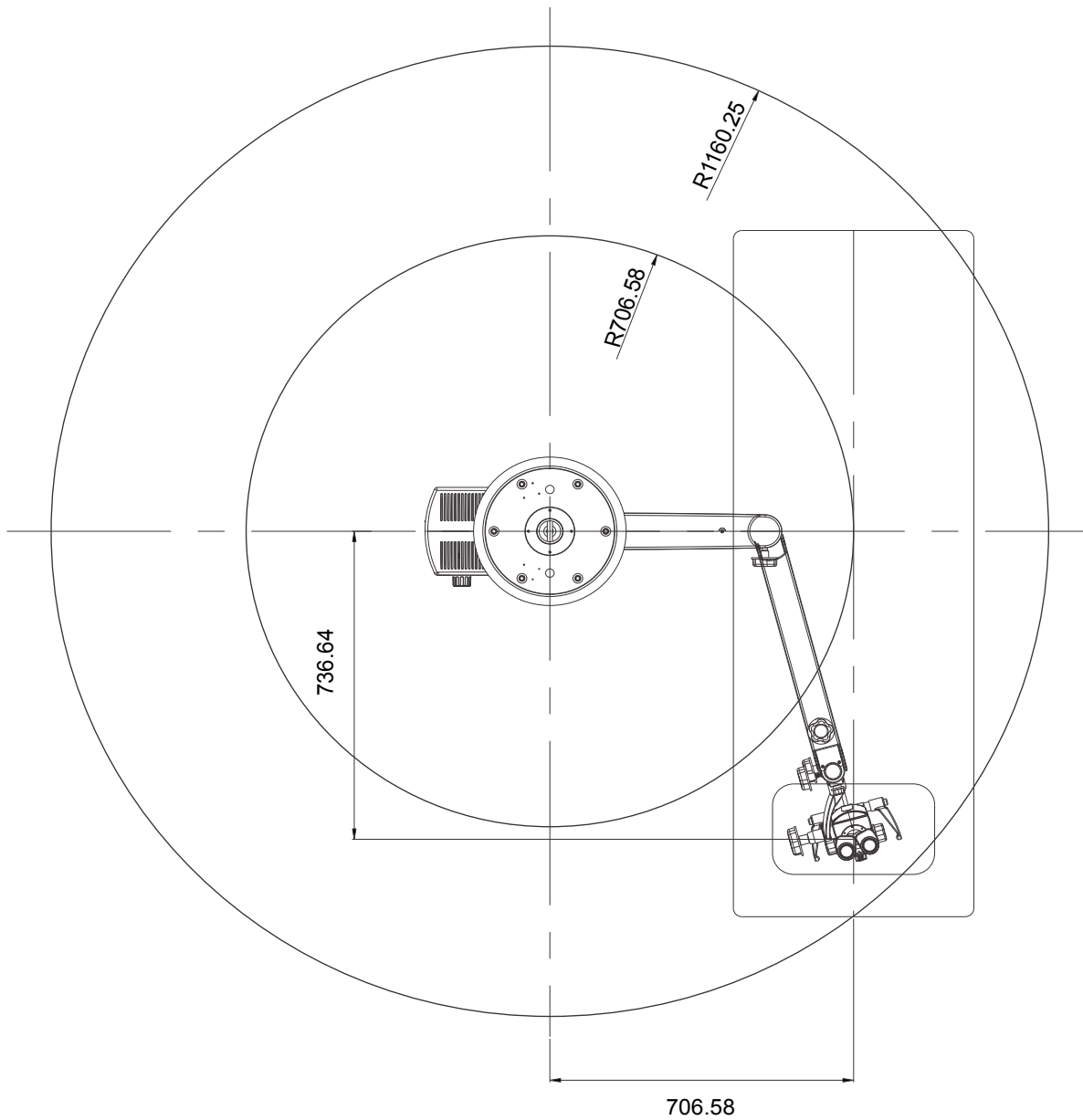
Note: Use of optional 845mm suspension arm requires longer fiber optic cable (part# 6165000-380)

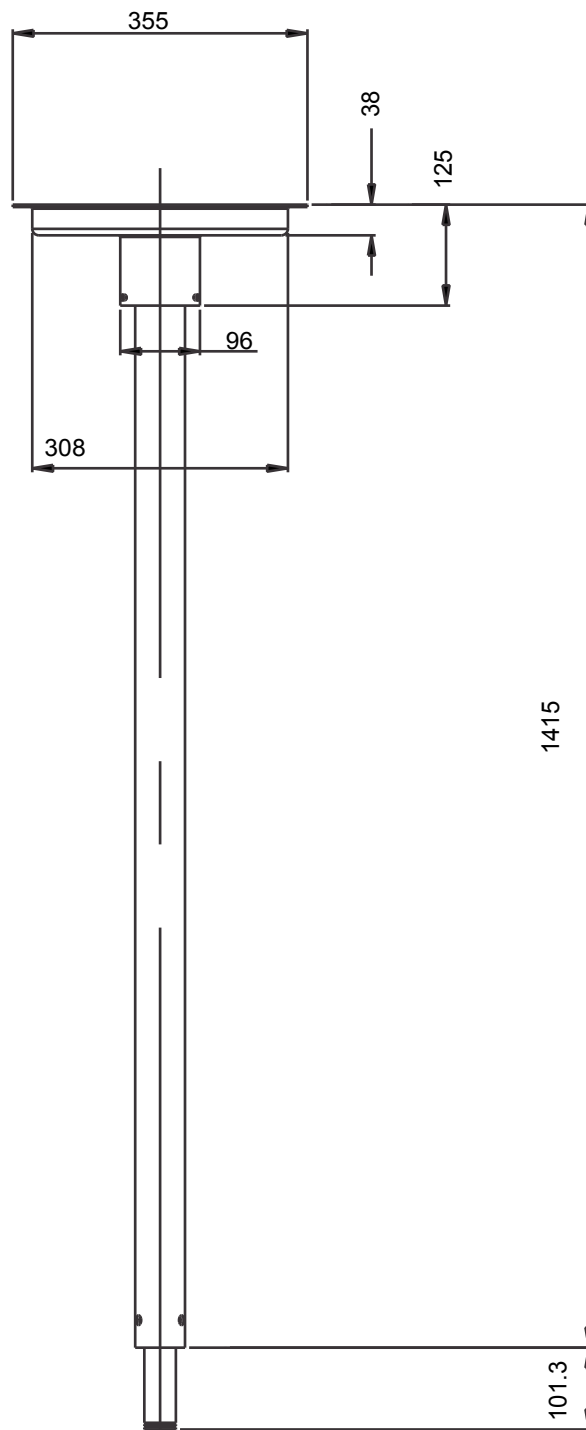
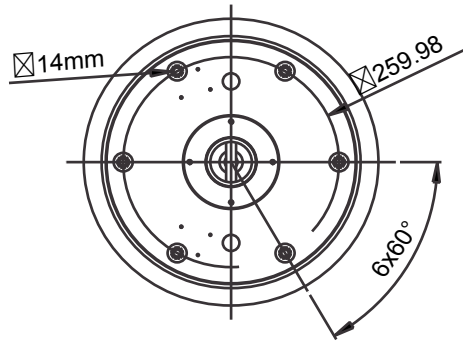
Ceiling mount: alternative installation to the patient's side

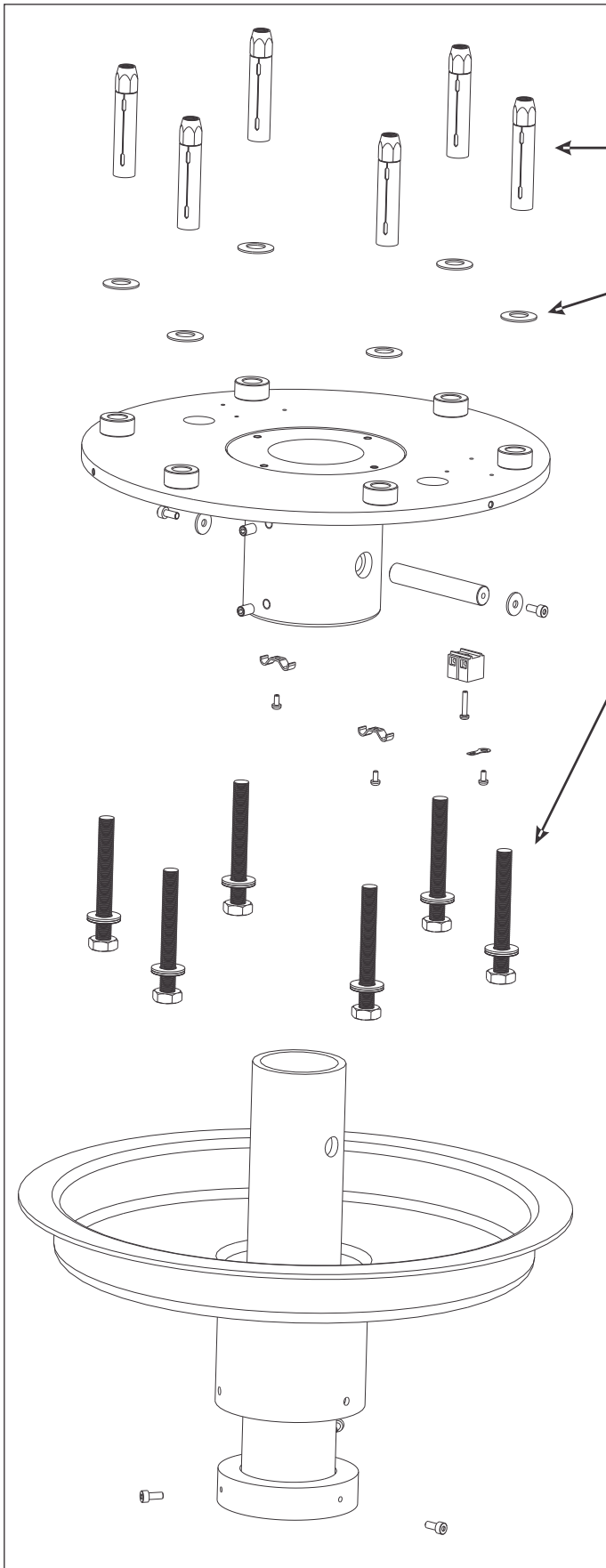


Ceiling mount for dentistry, recommended work ranges

Work range recommended for ideal installation site

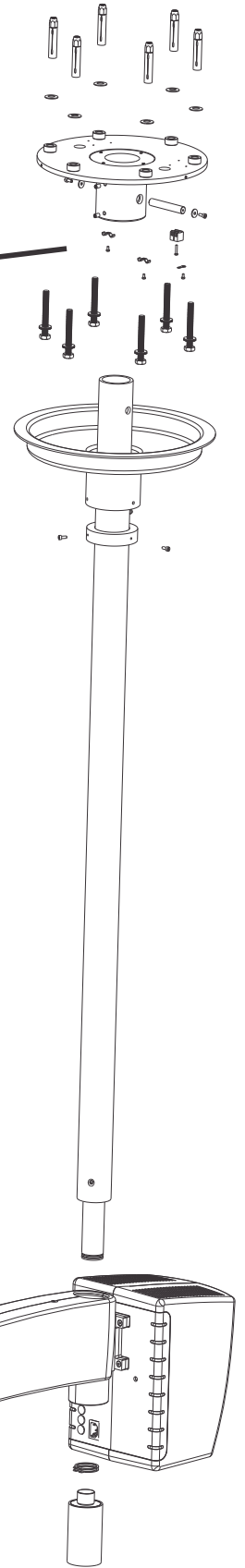
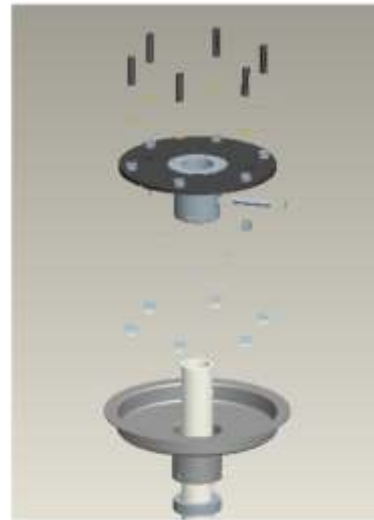




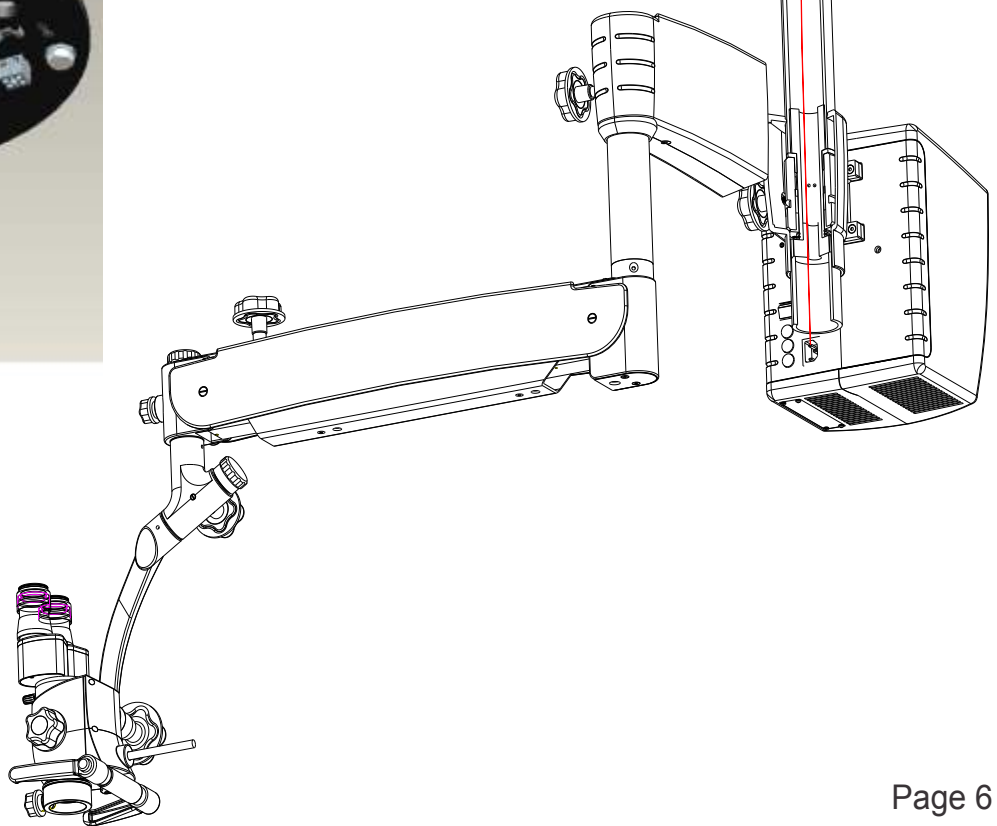
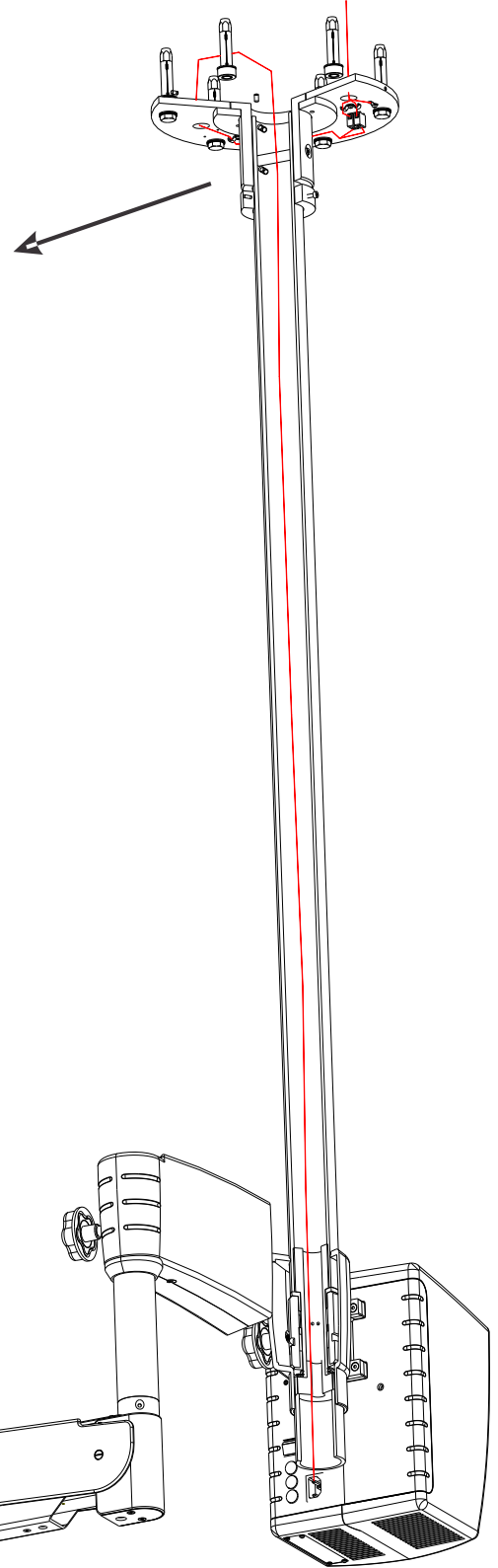
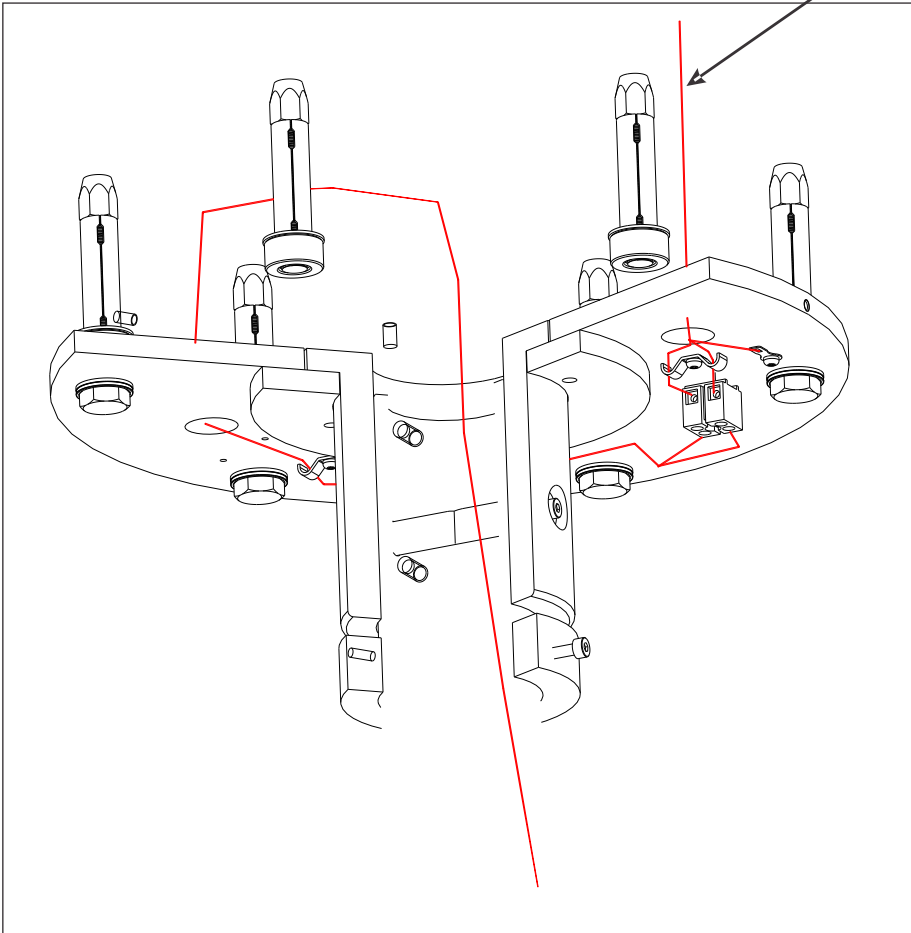


Mount the plugs into ceiling after drilling.

Fix the washers before tightening the screws.



Power cable



List of contents - Ceiling kit:

1. Rowel plugs - 6 pcs
2. Washers - 6 pcs
3. Ceiling mount
4. Ceiling mount cover
5. Column

www.laboamerica.com

LABOMED Surgical Microscope
www.labomedurgicalmicroscope.com

Our policy is one of continuous development. Labo America, Inc., reserves the right to change design and specifications without prior notice.

Labo America, Inc.

920 Auburn Court
Fremont CA 94538
U.S.A.

Fax: (510) 991 9862
Global: sales@laboamerica.com
www.laboamerica.com

Nyoptics Inc

2009 Blue Oak Court
Danville, CA, 94506

Ph: 925.820.3444 / Fax 925.820.0964
sales@nyoptics.com



LABOMED and Prima are registered trademarks of Labo America, Inc.

With a policy of continuous development, Labo America, Inc. reserves the right to change design and specifications without prior notice.

© 2010 Labo America, Inc.