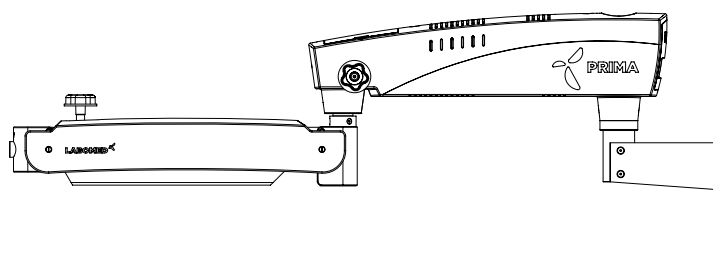




Installation Manual Prima Wall Mount



Contents

Technical Data

ENT 6137100 Wall mount

Range movements for Prima ENT on the mount

Preparatory responsibilities of Customer

Wall mount anchoring

Control and power supply of the system

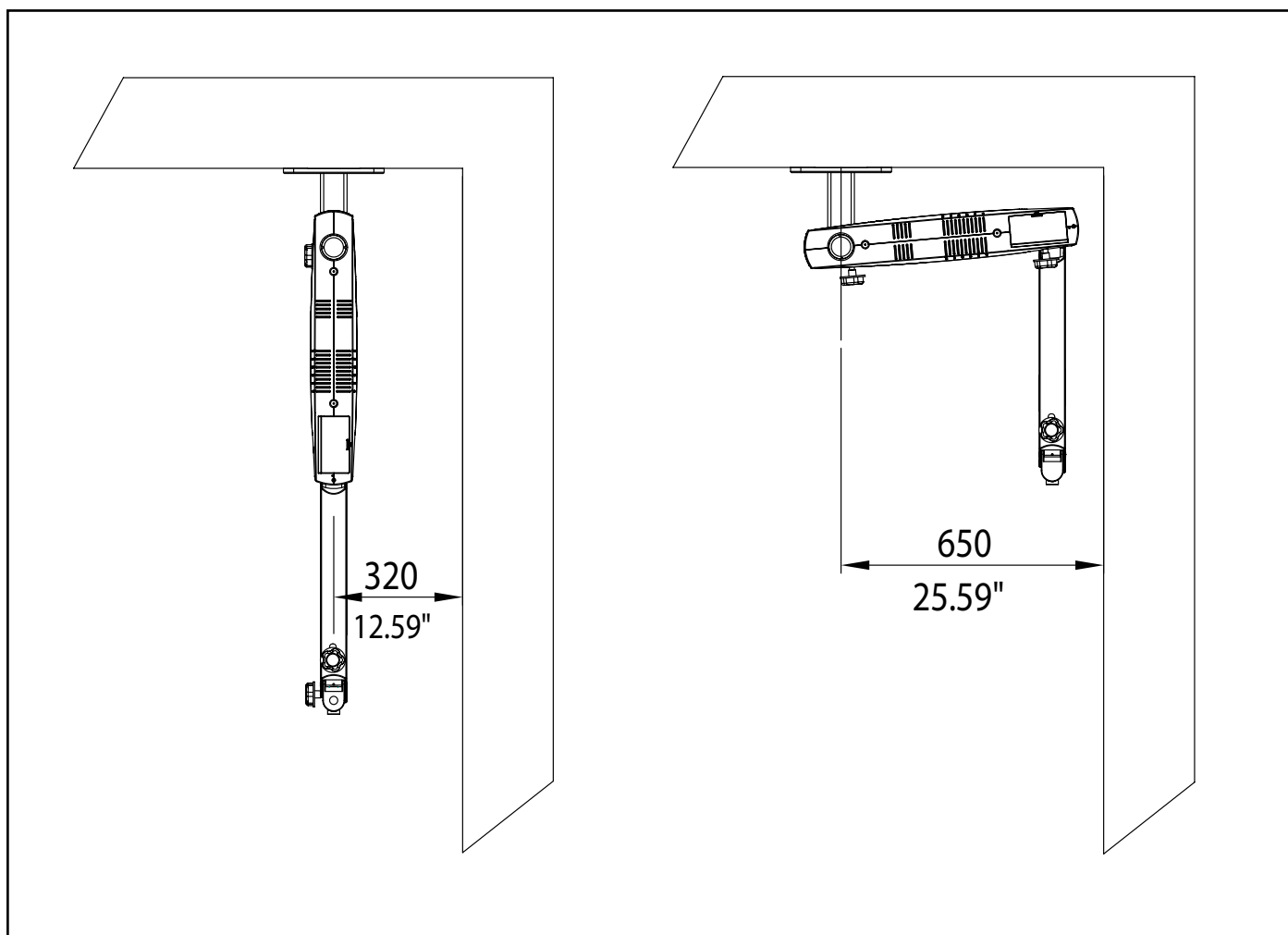
Confirmation of structural calculation and execution

Minimum distances and pivot points

Minimum distances

For the installation of the wall mount, note the necessary distances from walls as a function of the selected parking position. Please also make sure that the mount cannot coincide with the doors and other examination facilities.

Any collisions with doors and other furnitures/equipment must also be avoided in the case of fully extended arm length.

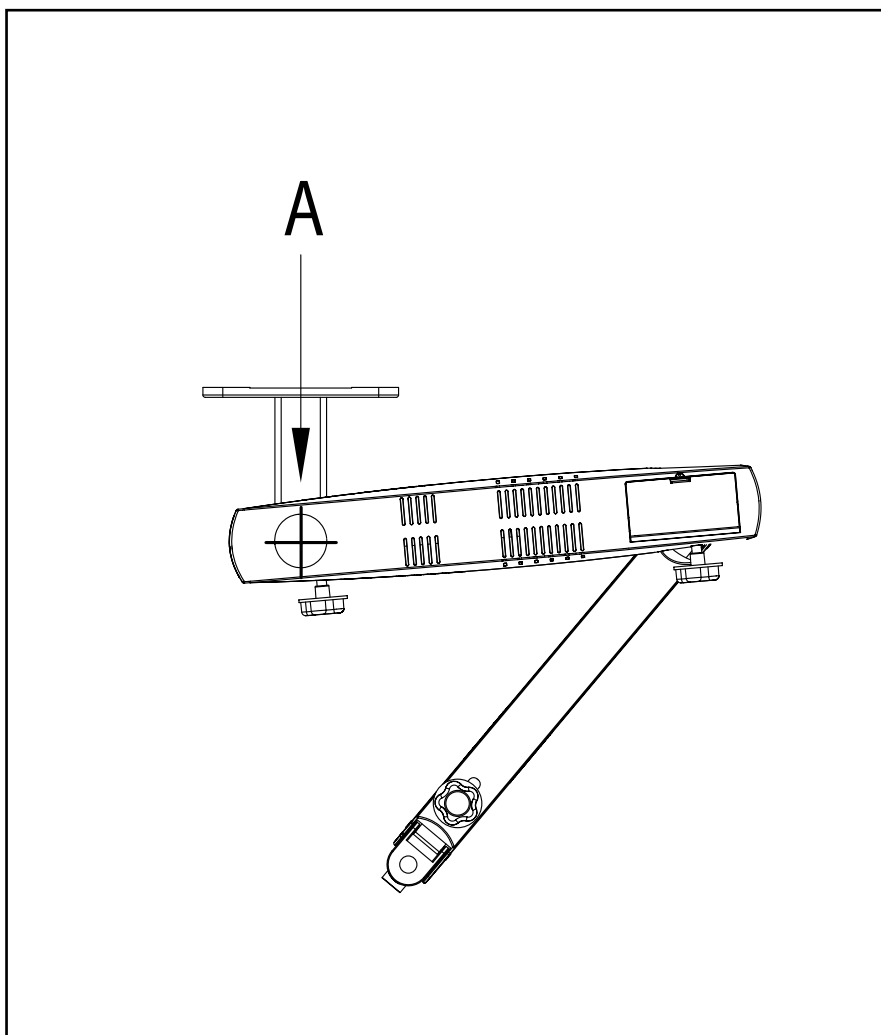


LABOMED Surgical Microscope
www.labomed surgical microscope.com

Determining the pivot points

The specifications for the installation areas always refer to the pivot points of the mounts. The illustration below shows you the positions of the pivot points.

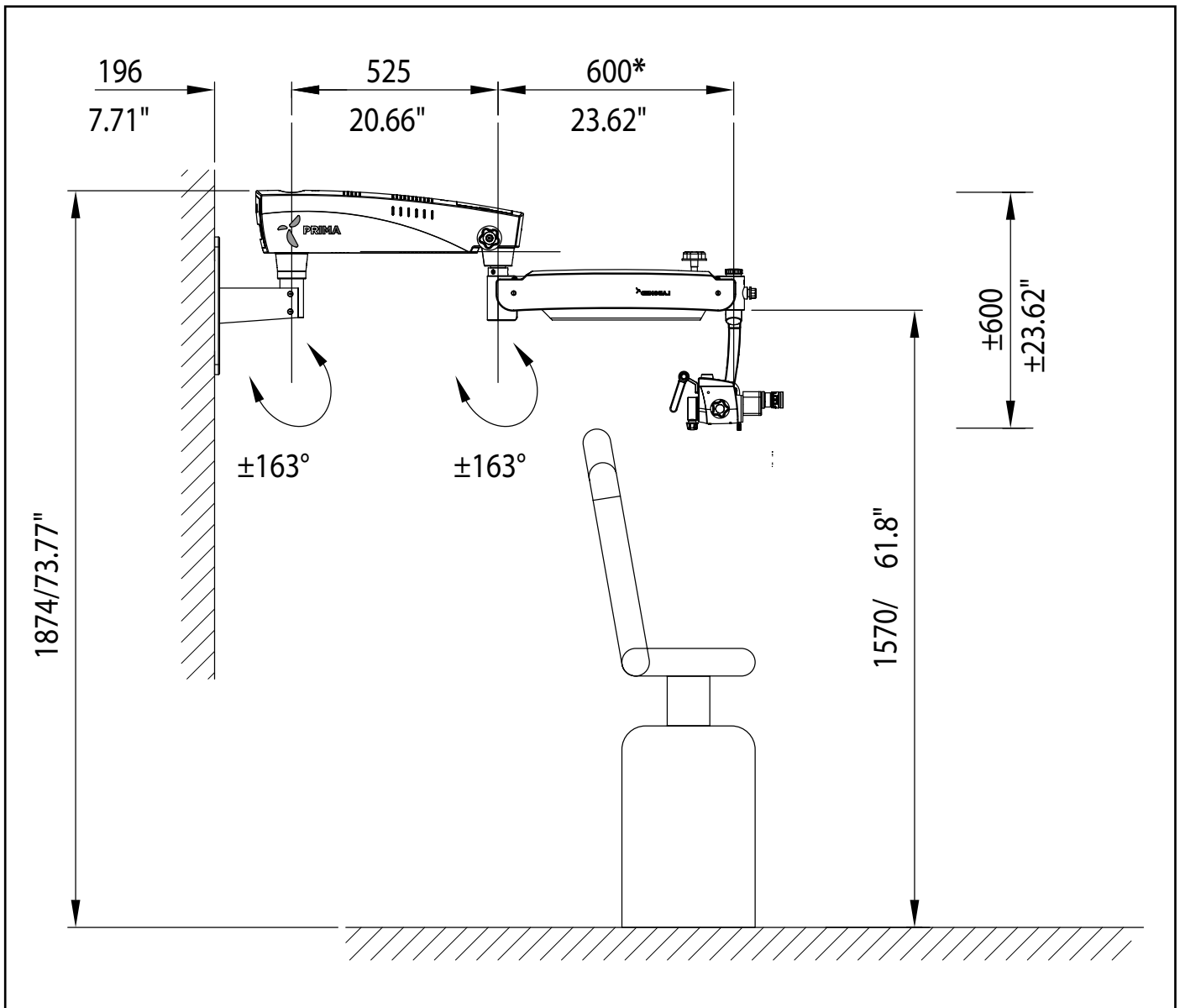
1 Pivot point of the 6137100 wall mount



LABOMED Surgical Microscope
www.labomed surgical microscope.com

Dimensions of the Wall mount

* Optional 845mm arm
Part# 6137400



Note: Use of optional 845mm suspension arm requires longer fiber optic cable (part# 6165000-380)

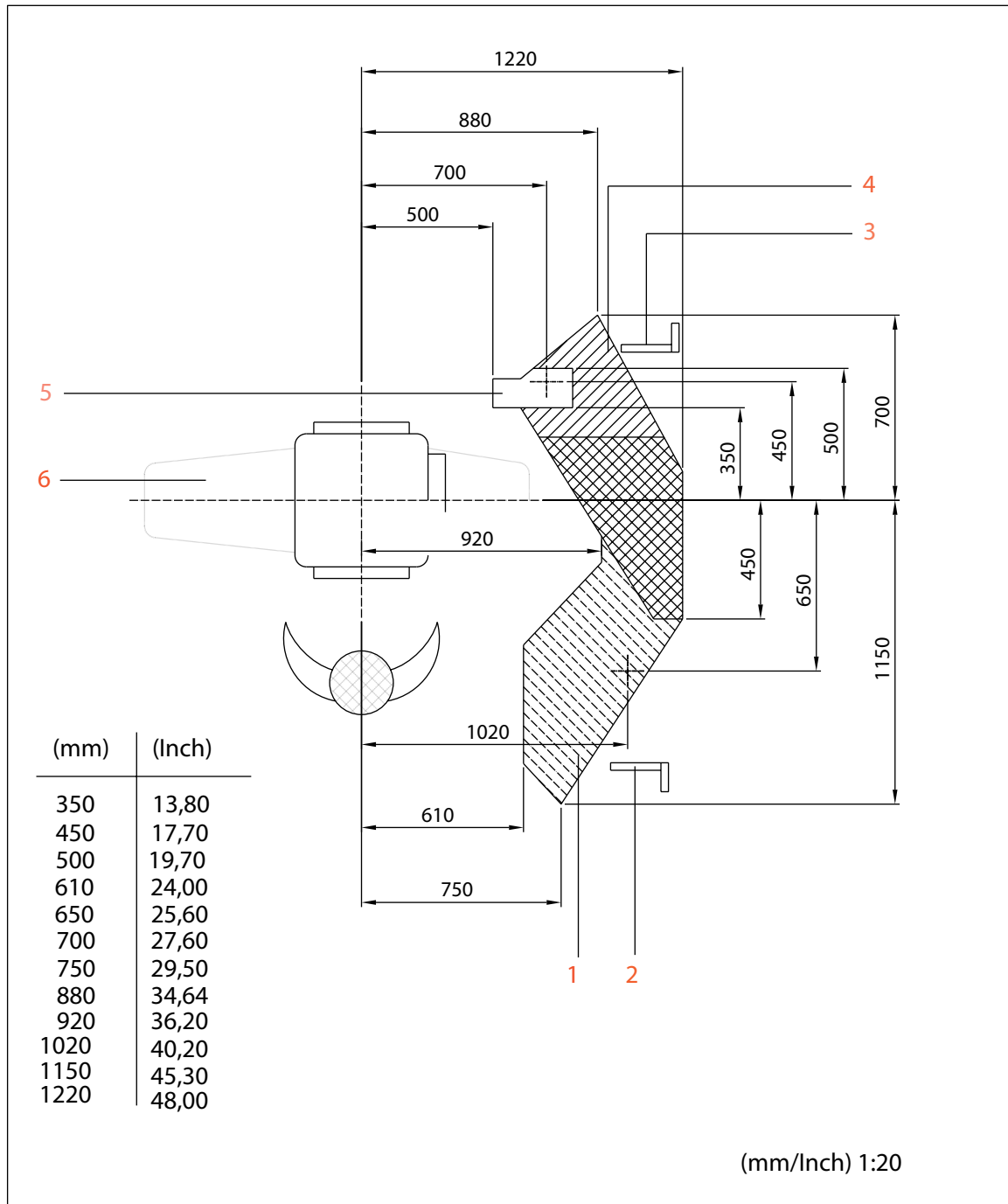
LABOMED Surgical Microscope
www.labomed surgical microscope.com

Selecting the installation site for wall mounts for ENT

For dimensions and positions, please see the drawing on the opposite page.

- 1 Installation area 2. The dimensions of the optimum position are indicated.
- 2 Position of the folded mount in installation area 2.
- 3 Position of the folded mount in installation area 1.
- 4 Installation area 1.
- 5 Ideal installation area for ENT. The dimensions of the optimum position are indicated.
- 6 Patient's chair for ENT .

Technical Data

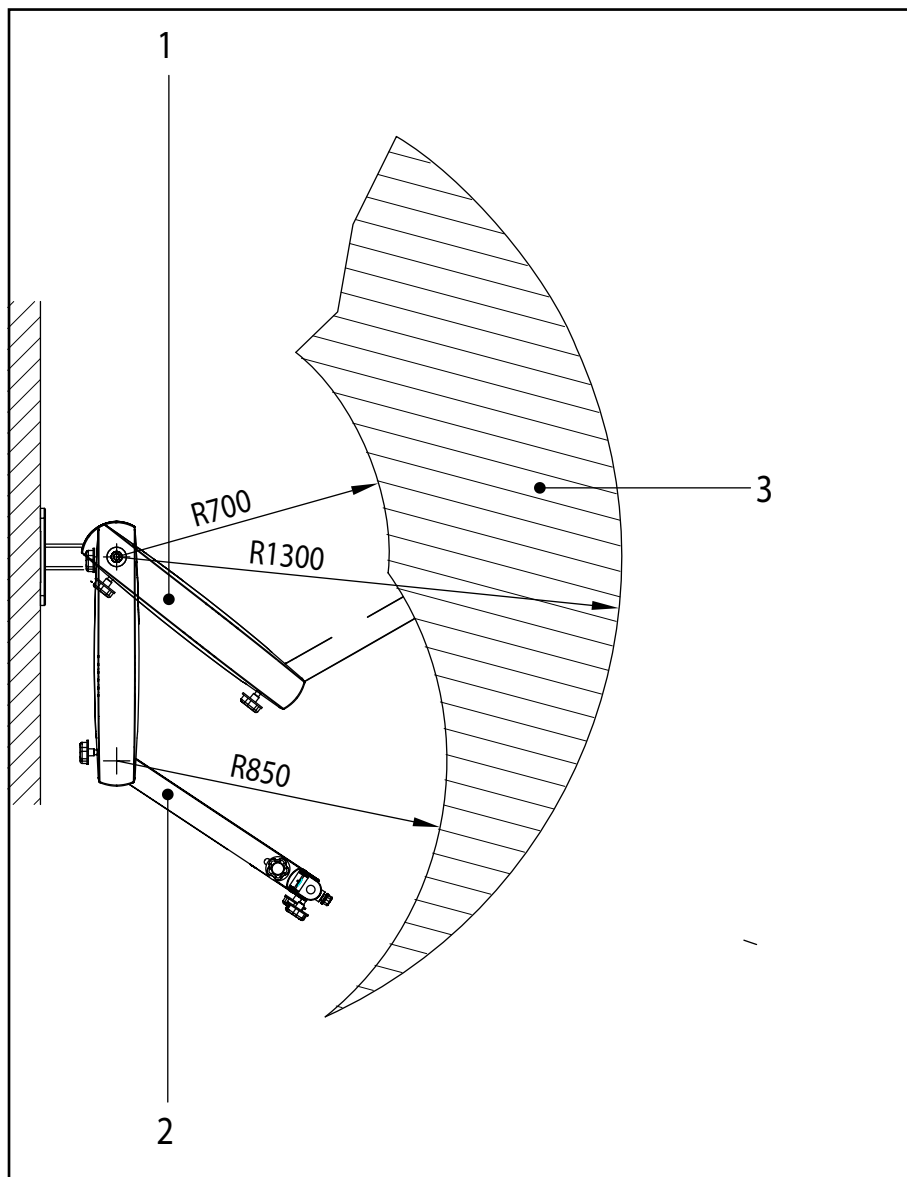


LABOMED Surgical Microscope
www.labomed surgical microscope.com

Technical Data - Wall mount - Position range

Reference

- 1 122° position of the wall mount
- 2 45° position of the wall mount
- 3 Operating range of the wall mount



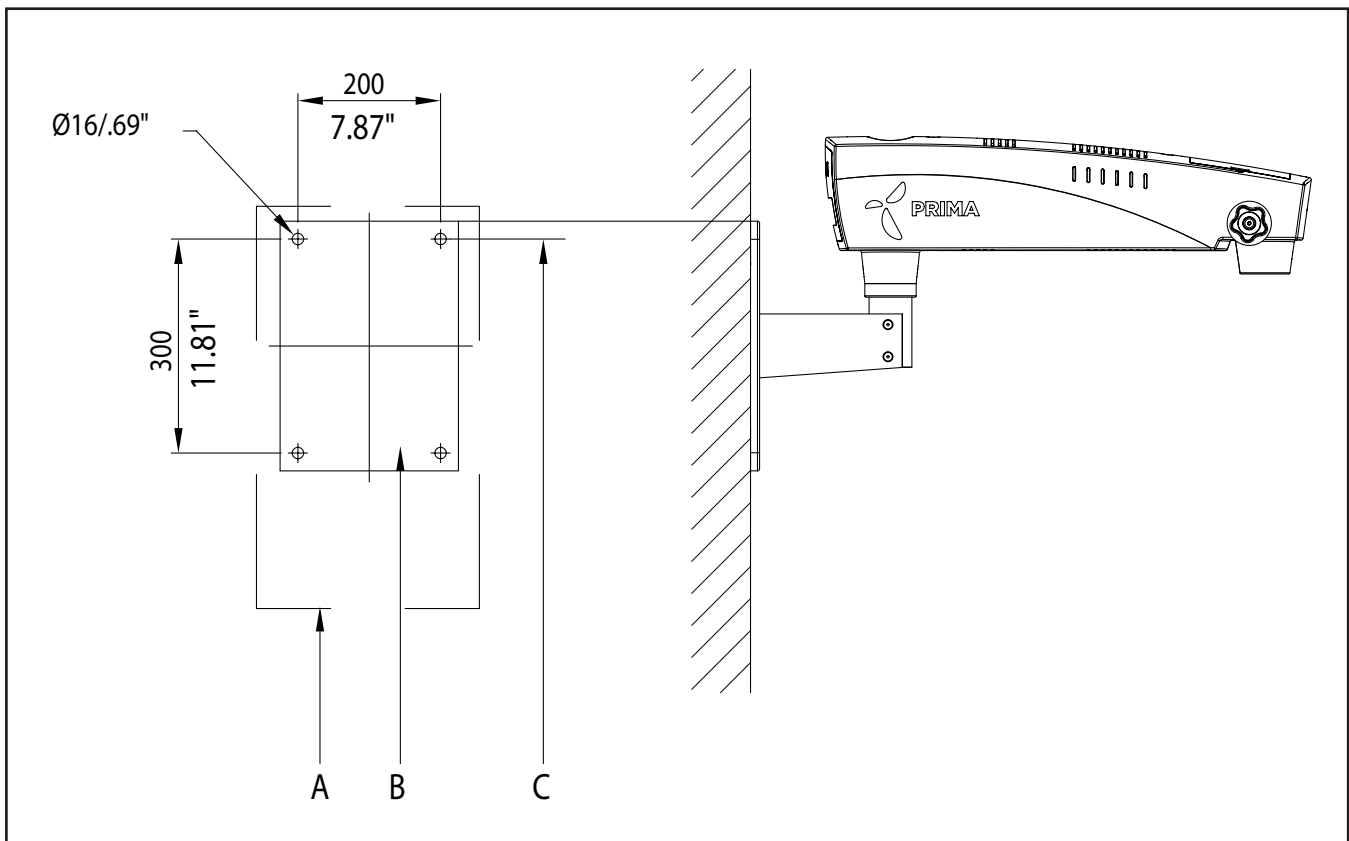
Preparatory requirements from the Customer



Anchoring the Wall mount

Reference

- A Cover, WxH = 200 x 300
- B Wall flange
- C ENT: 1900mm from the floor



LABOMED Surgical Microscope
www.labomed surgical microscope.com

1. The 6137100 wall mount must only be installed on the Labomed wall flange.
2. The construction specialists responsible must confirm in writing that the applicable regional and local codes & regulations have been complied with and that the points listed below have been observed. The customer must keep this confirmation with his records on the wall mount. A copy of this document must be enclosed by the customer with his order.
3. The wall on which the 6137100 wall mount is to be mounted must have the following load capacity:
Perpendicular force: minimum 1200 N
Torque:
Perpendicular to the wall 1200 Nm minimum Parallel to the wall 800 Nm minimum
Also take into account any additional loads acting on the wall and any other loads anchored in the wall.
The wall should preferably be made of concrete.
4. The wall flange must be aligned in a vertical position (max. deviation $\pm 0.5^\circ$).
5. The effective strength of each of the three wall anchors must rate at least 3000 N.
The following must be taken into consideration when calculating the effective strength:
 - specifications of the bolt/anchor manufacturer
 - quality of the structural wall, e.g. the strength of the concrete
 - spacing of anchor holes and weakening effect of anchor holes in the wall.

Note:

If an existing wall anchor plate is ever exchanged, never re-use the old anchors. New anchor holes must be drilled. When calculating the effective strength of the new anchors, make sure to take into account the weakening effect of the old holes in the wall.

6. On the basis of the above aspects, the person responsible for the building must decide on and take responsibility for the most suitable method of anchoring.

Note:

The maximum weight of the surgical microscope including accessories must not exceed 7 kg. The respective weight of our accessory equipment is specified in the price list.

The weight of the mount including the surgical microscope is as follows:

– wall mount: approx. 27 kg

Power line: 3 x 1.5 mm²

Fusing: 2.5A

Power consumption: max. 75 VA

Note:

A socket with properly installed protective earth connection must be provided at the installation site near the ceiling flange. The terminals for power connection are located on the ceiling mount.

Potential equalization: Take the necessary actions in the building to include the instrument in the protective measure of "potential equalization".

Note:

The series 6137100 suspension systems including the components mentioned here comply with VDE 0750 requirements, Part 1/6.77, excluding section 33 "Geräte mit Anästhesiemittel-Prüfung".

Such activities as the installation of the wall flange and the installation of conduits and electrical lines are the customer's responsibility.

Confirmation of structural calculation and execution

We hereby confirm that the installation of the wall flange for the 6137100 wall mount from Labomed is the sole responsibility of the customers and will be in compliance with the applicable national standards and regulations.

Customer's name and address:

Project (address of site of installation, if required):

For proper execution of installation: Name and address of executing company:

Date:

Signature:

Labo America, Inc.

920 Auburn Court
Fremont CA 94538
U.S.A.

Fax: (510) 991 9862
Global: sales@laboamerica.com
www.laboamerica.com

LABOMED Surgical Microscope

www.labomed surgical microscope.com